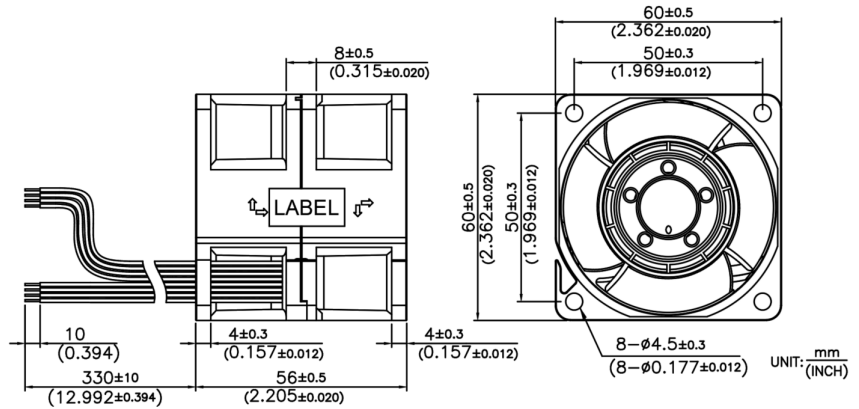
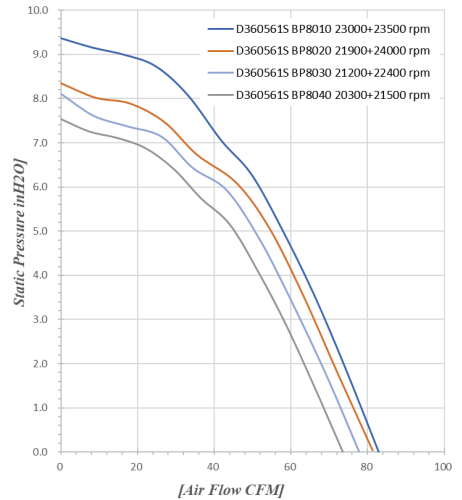


iCloud Fan 60*60*56 MM

DIMENSION DRAWING



Housing : Plastic (UL 94V-0)
 Impeller : Plastic (UL 94V-0)
 Bearing : Ball bearing
 Lead Wires : UL10368 AWG22 OR Equivalent
 Mass : 190g



Product Type	Model No.		Control Type	Bearing Type	Rated Voltage	Operating Voltage Range	Input Current	Input Power	Inlet fan Speed	Outlet fan Speed	Maximum Air Flow		Maximum Air Pressure			Noise
					VDC	VDC	A	W	R.P.M	R.P.M	CFM	m ³ /min	inH ₂ O	mmH ₂ O	Pa	dB(A)
6056 12V 三相系列	D360561S	BP8010	+/-FG/PWM	Ball	12	10.8~13.2	4.8	57.5	23000	23500	83.0	2.3	9.4	237.8	2331	83.6
	D360561S	BP8020	+/-FG/PWM	Ball	12	10.8~13.2	4.5	54.2	21900	24000	81.3	2.3	8.3	211.9	2077	82.1
	D360561S	BP8030	+/-FG/PWM	Ball	12	10.8~13.2	4.0	47.8	21200	22400	77.7	2.2	8.1	206.1	2021	80.5
	D360561S	BP8040	+/-FG/PWM	Ball	12	10.8~13.2	3.4	41.1	20300	21500	73.6	2.1	7.5	191.5	1877	78.8
6056 24V 三相系列	D360562S	BP8010	+/-FG/PWM	Ball	24	10.8~13.2	2.4	57.5	23000	23500	83.0	2.3	9.4	237.8	2331	83.6
	D360562S	BP8020	+/-FG/PWM	Ball	24	10.8~13.2	2.3	54.2	21900	24000	81.3	2.3	8.3	211.9	2077	82.1
	D360562S	BP8030	+/-FG/PWM	Ball	24	10.8~13.2	2.0	47.8	21200	22400	77.7	2.2	8.1	206.1	2021	80.5
	D360562S	BP8040	+/-FG/PWM	Ball	24	10.8~13.2	1.7	41.1	20300	21500	73.6	2.1	7.5	191.5	1877	78.8